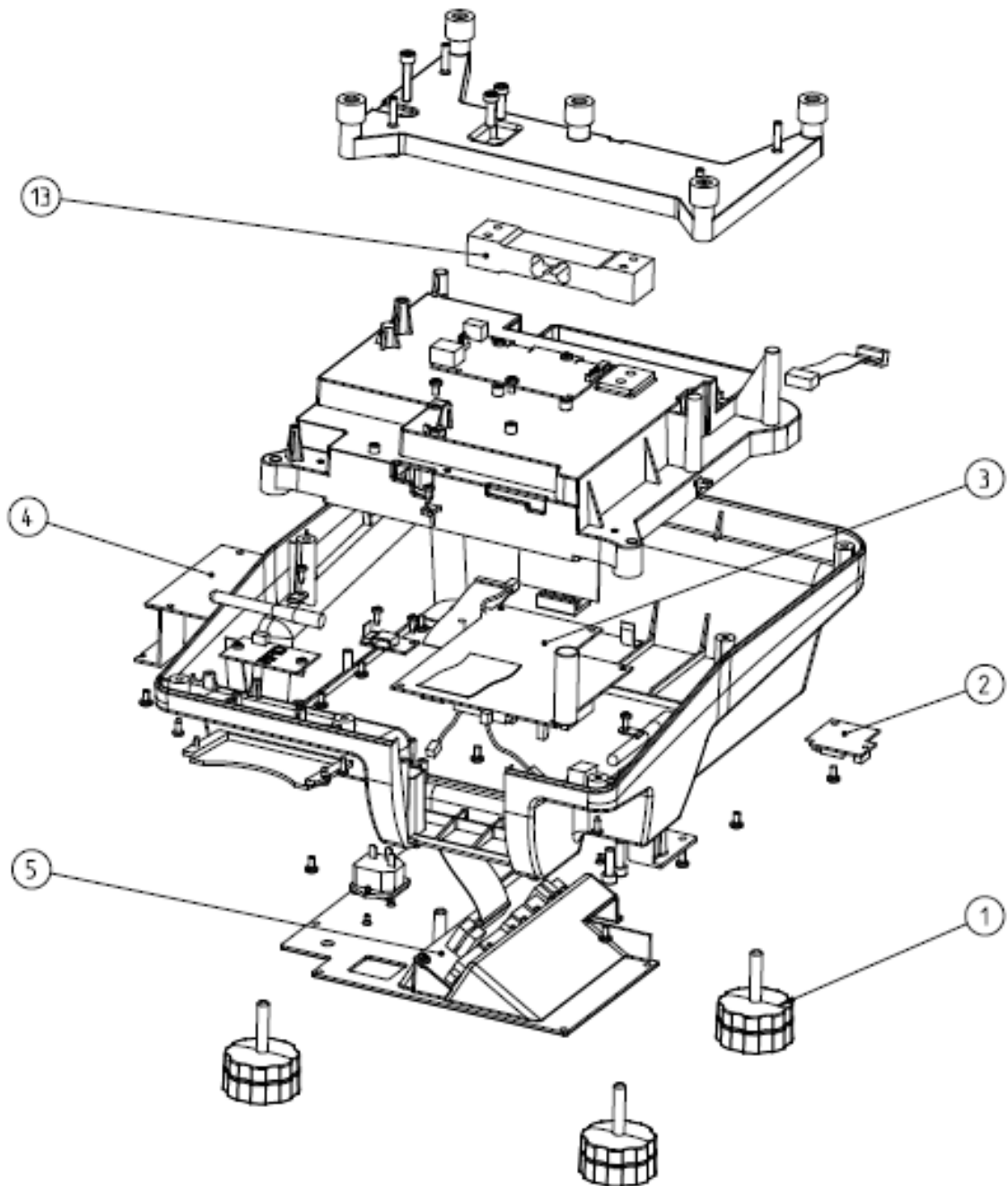




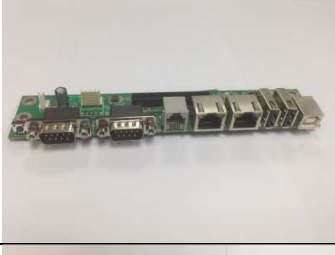

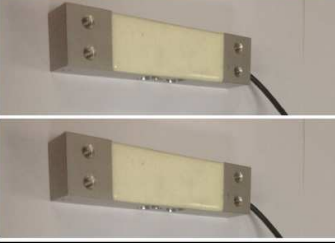
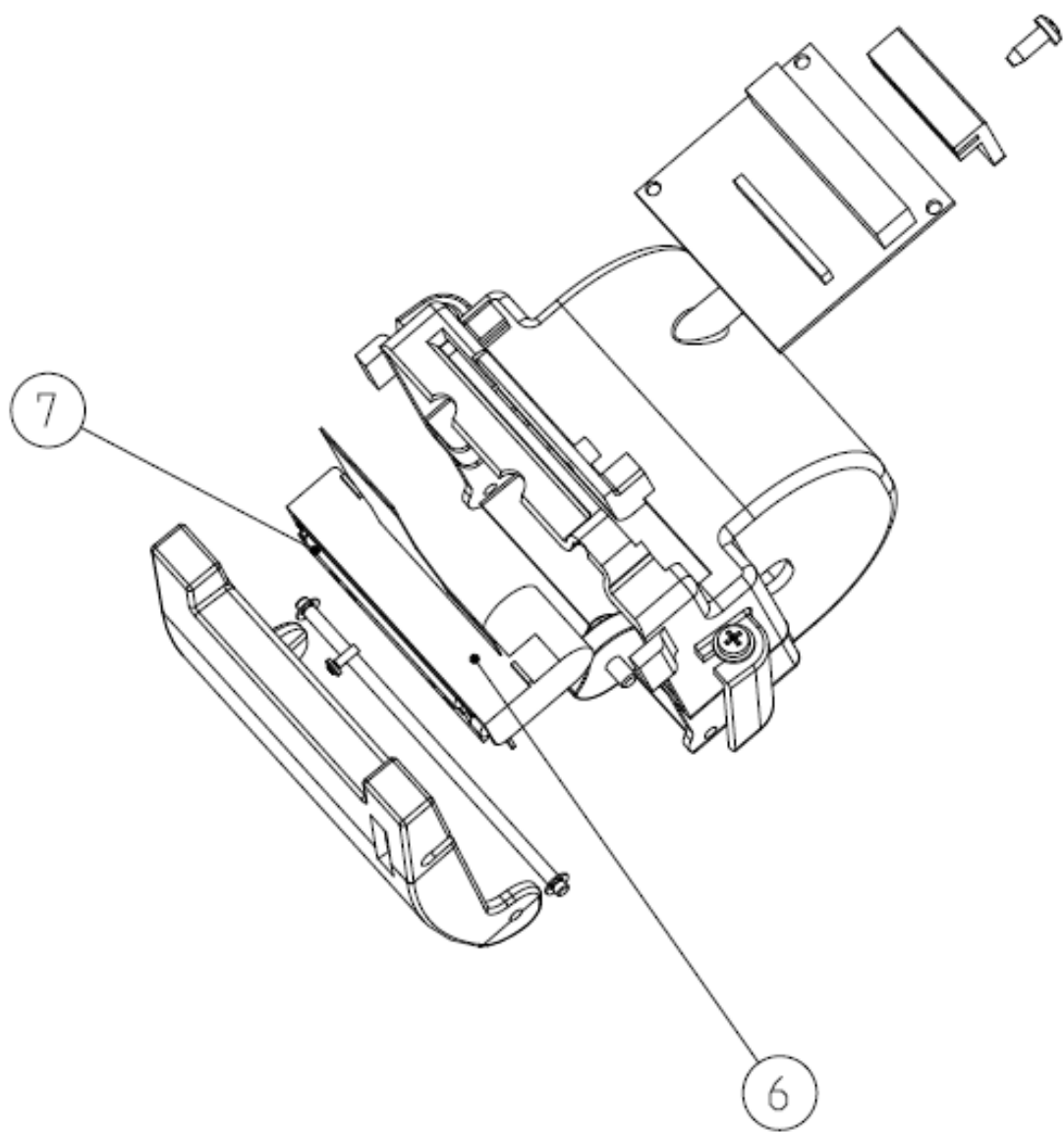


Skipper 7000 Spare Parts & Accessories

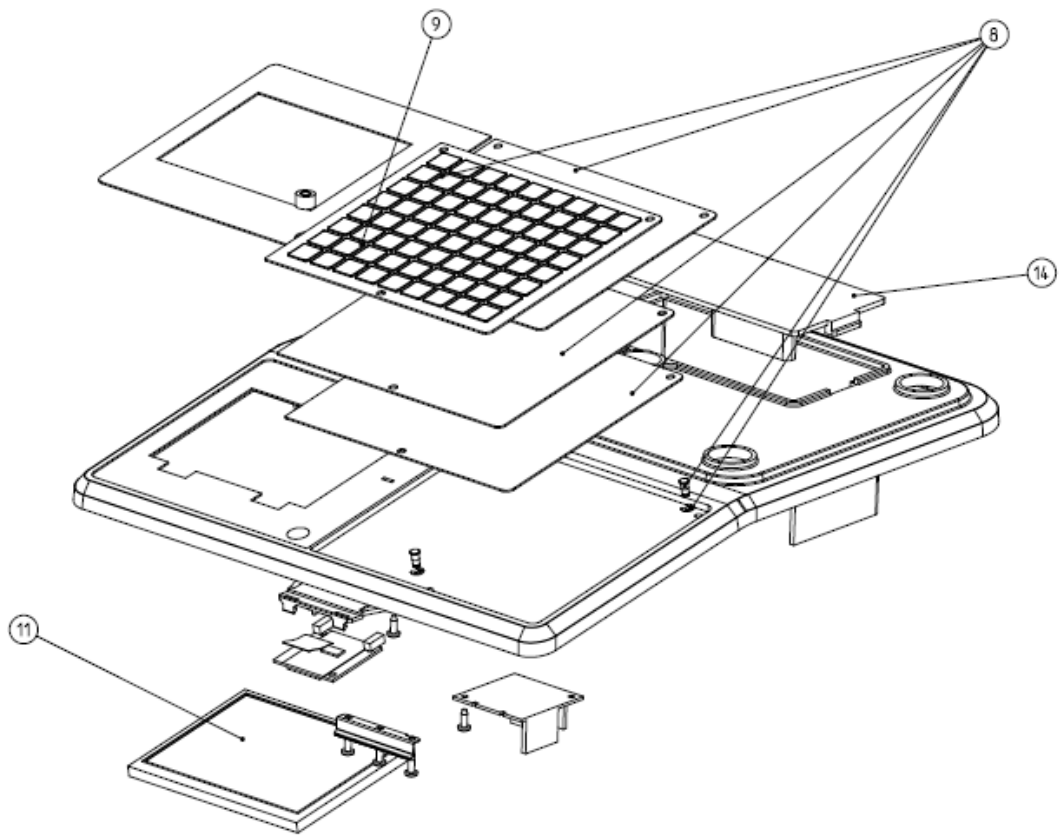





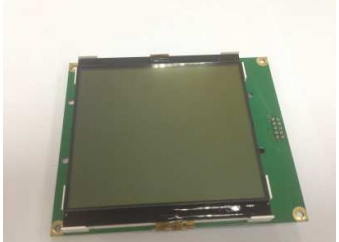

Item	Order.No	Description	Picture
1	30220275	SP, Feet Set(4), A51 A71 S51 S71	
2	30257153	SP, PCBA, A/D Board, S51 S71	
3	30257135	SP, PCBA, Mainboard, S71	
4	30257230	SP, Switch Power, 18V, 65W, S51 S71	
5	30257136	SP, PCBA, Interface Board, S71	
10 NS	30217314	SP, Harness kit, S71	

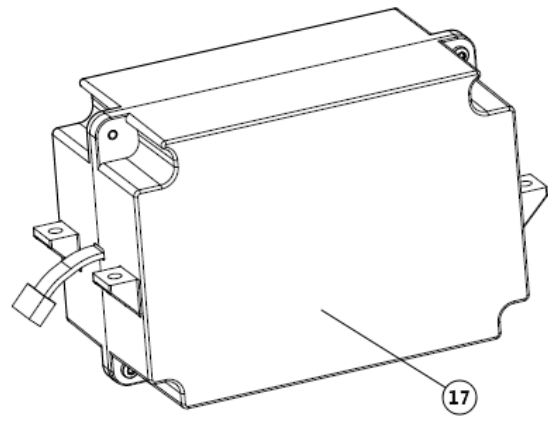
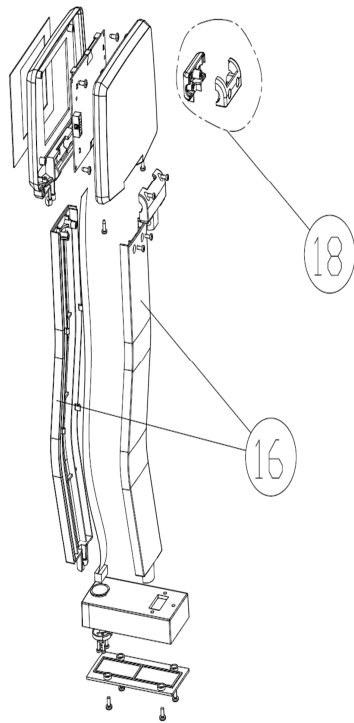
	30211287	SP, LoadCell, AMI 22kg C3	
13	30211288	SP, LoadCell AMI 40kg C3X2	
	30211289	SP, Load Cell, 22Kg, C3x2	
17	30325506	SP, PCBA, backup battery, S51 S71	






Item	Order.No.	Description	Picture
6	30257155	SP, Printer, LTPD245B, S51 S71	
7	30217470	SP, Rubber Roller, LTPD245B, S51 S71	



Item	Order.No.	Description	Picture
8	30216921	SP, Keyboard kit, S71	
9	30220276	SP, Keypad, Silicon, Set(5),S71	
11	30257137	SP, Display, TFT VGA 5.7", S71	
12 NS	30257138	SP, Display,3690, White, Caesar, S71	
14	30257156	SP, Cover, battery, S71	



Item	Order.No.	Description	Picture
16	30211291	Tower Kit, S71	
17	30211292	Battery Kit, 12V,7Ah, NiMH, S71	
NS	30219506	Wireless kit, S71	
NS	30235164	Ext.12~24V connector kit, S51 S71	