

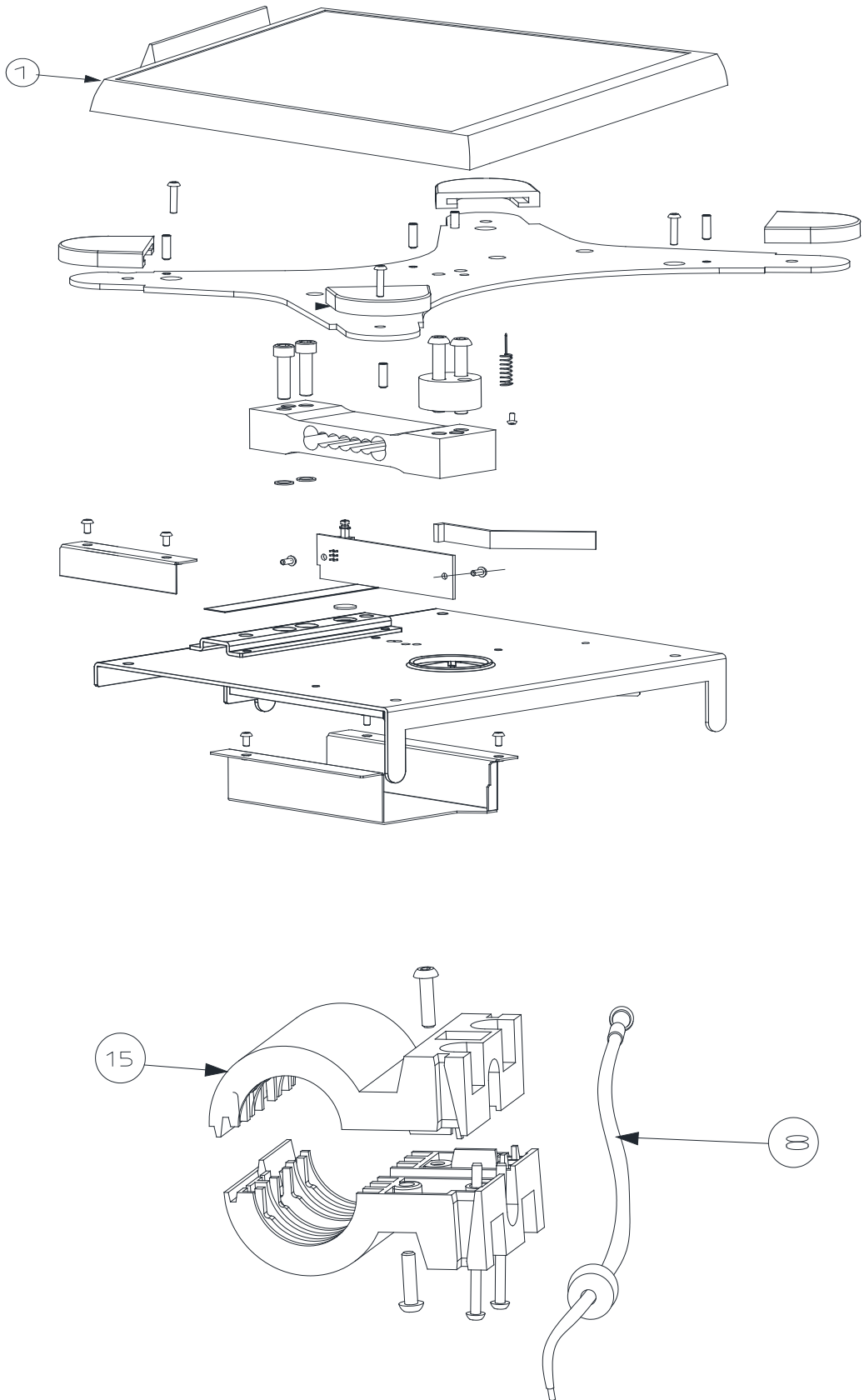


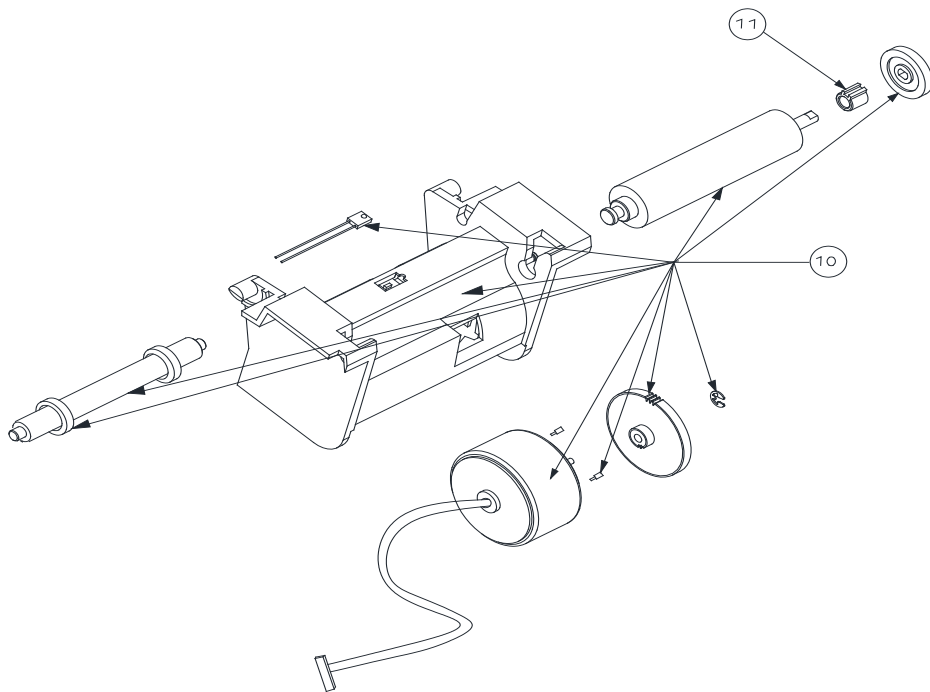
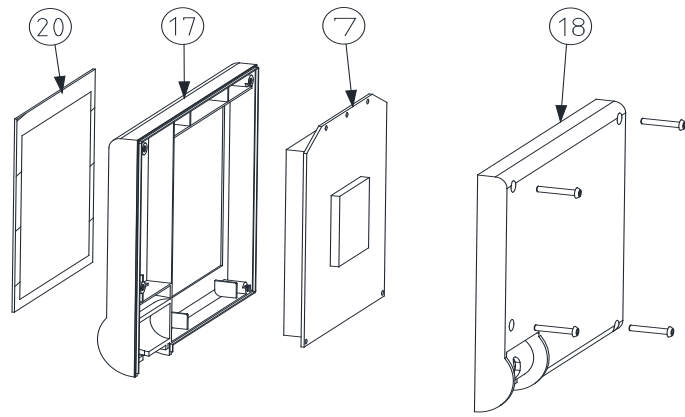
*AfterMarket*  
Parts • Service • Support • Accessories

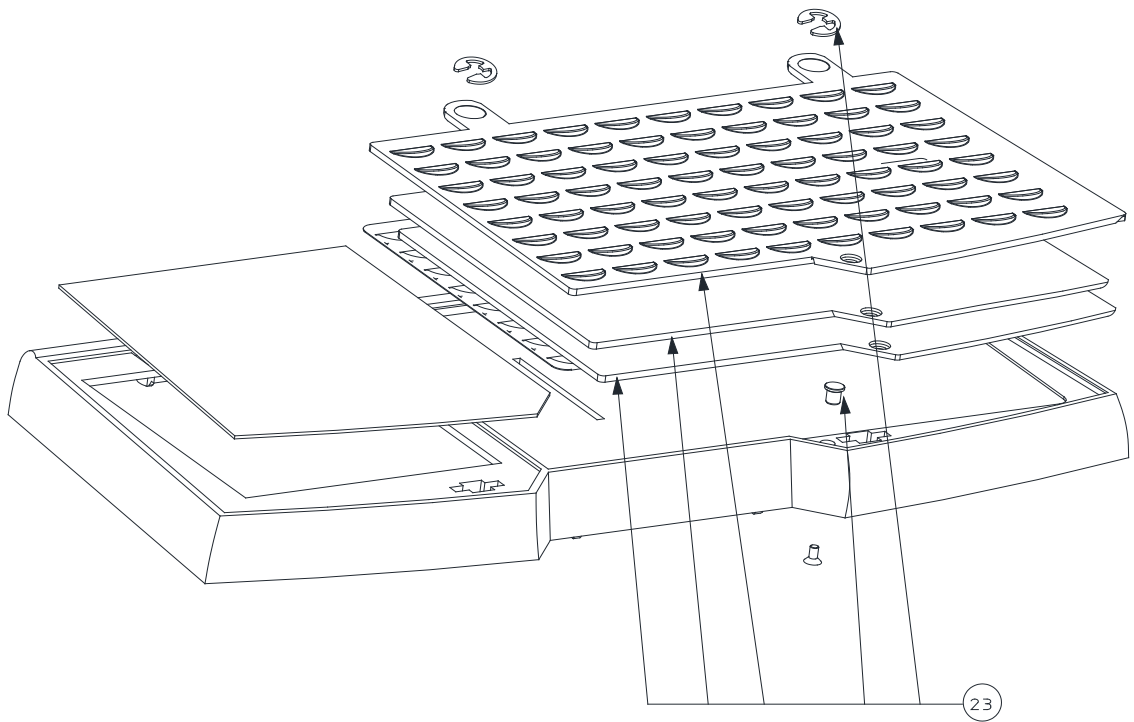
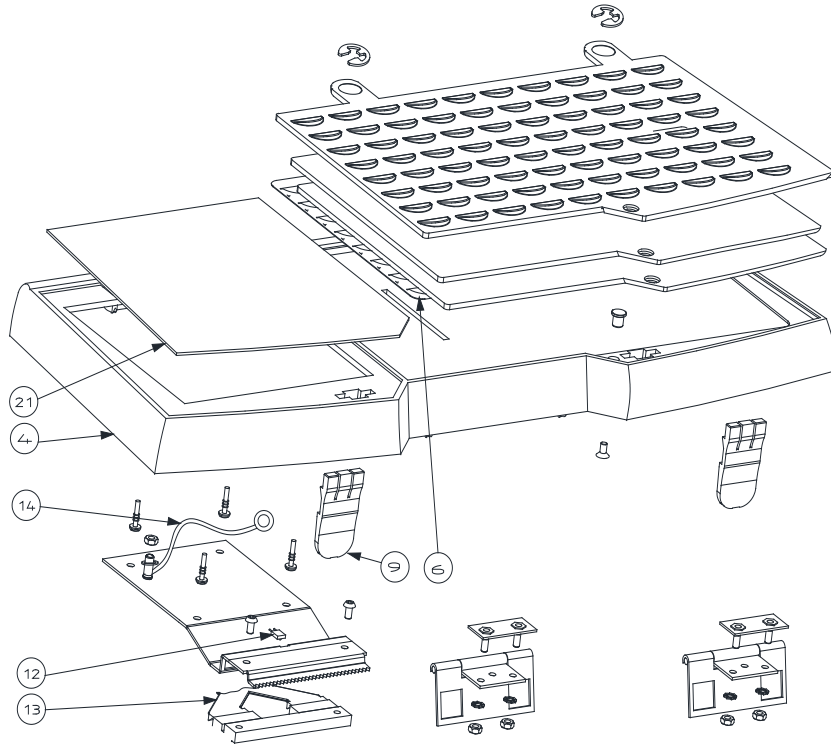
### Service Parts List

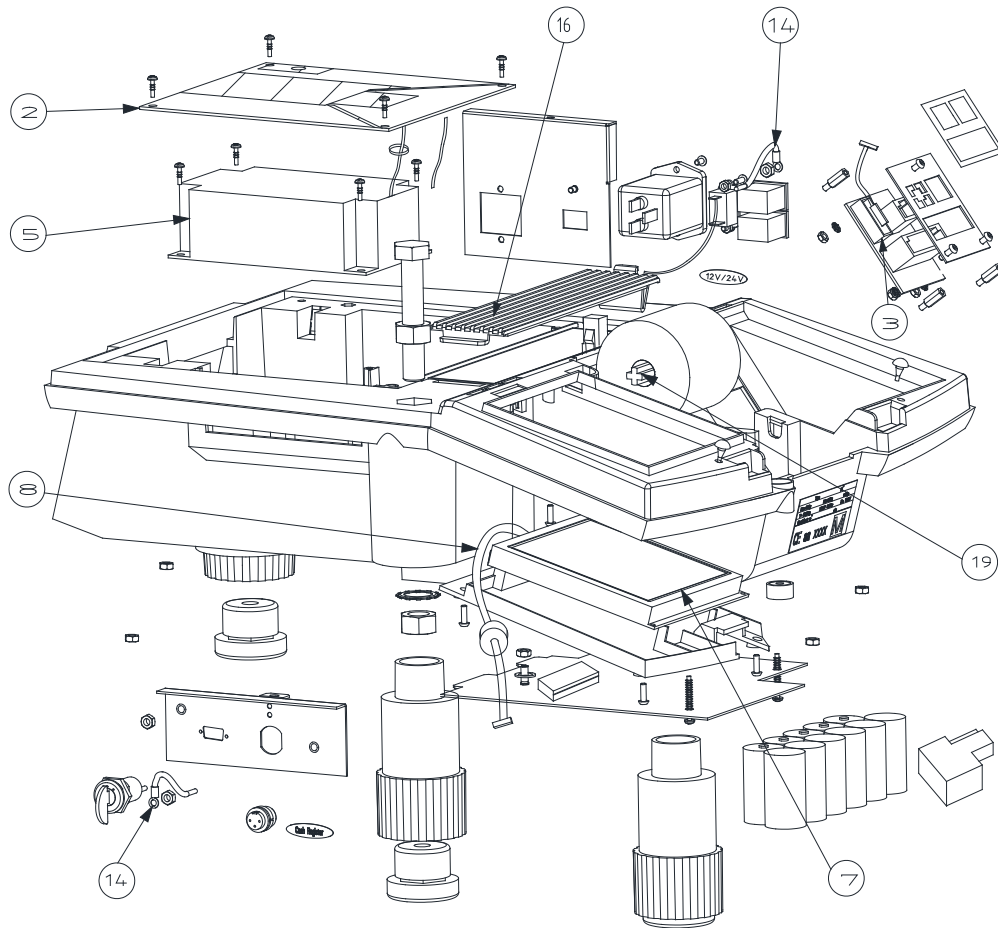
Click on the model being serviced

[RI](#)









### RI Spare part list

Item	Order No.	Description	QTY	NOTE
1	71207281	Pan(HELIOS) OH-RET	1	
2	71207283	Main board OH-RET	1	
3	71207284	PCB comunication board BI OH-RET	1	
4	71207280	Keyboard shell OH-RET	1	
5	71207286	Switching power supply OH-RET	1	
6	71207301	Foil film keyboard BI OH-RET	1	
7	71207313	Displaying module OH-RET	1	
8	71207314	Front/ Rear display cable OH-RET	1	
9	71208136	Keyboard clip OH-RET	1	
10	71208137	Complete printing mechanism OH-RET	1	
11	71208140	Printer roll ring RI OH-RET	1	
12	71208141	IR emitter W/cable, printer OH-RET	1	
13	71208146	MB to print head cable 31cm RI	1	
14	71208148	Grounding harness RI OH-RET	1	
15	72150500	Low rear display shell,RI,OH-RET	1	
16	72150506	Battey cover for BI OH-RET	1	
17	72150508	Front display shell,RI	1	
18	72150509	Rear display shell,BI	1	
19	72155078	BI,Printer paper support roll	1	
20	72191975	Lens,customer display,RI	1	
21	72191976	Lens,operator display,RI	1	
22	72199092	Silicon rubber key,BI	1	
23	72203545	Keyboard kit,RI	1	